



18-40GHZ GAIN: 15DBI (TYP) IS: 20DB
DUAL POLARIZATION ANTENNA 2.92MM(F)
P/NO.STI20-0001



SPECIFICATION

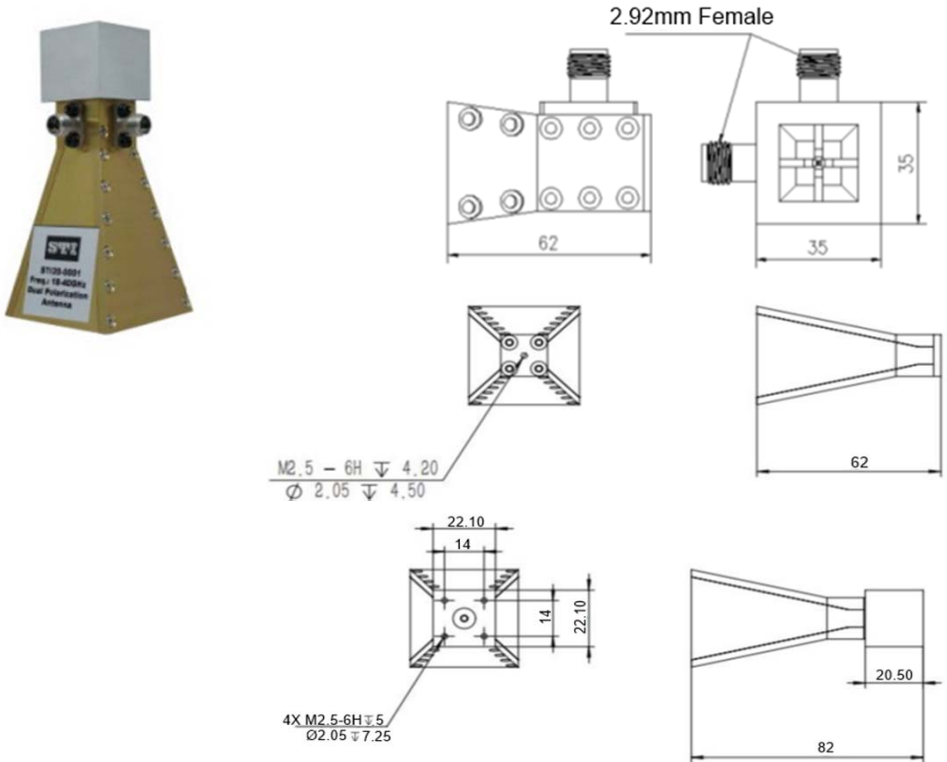
| | |
|---------------------|-----------------------|
| Frequency | 18-40GHz |
| Gain: | 15dBi(Typ.) |
| VSWR: | 2.0:1(Typ.) |
| Isolation: | 30dB(Typ.) 20dB(Min.) |
| 3dB Beamwidth : | 20-55° |
| Coaxial Connection: | 2.92mm Female |
| Impedance: | 50Ohm |
| Durability: | 500 Cycles |

MATERIAL LIST

| | | |
|---------|----------|--------|
| Part | Material | Plated |
| Housing | Aluminum | Gold |

OUTLING DRAWING

Unit:mm



TESTING DATA (100% S-PARAMETER TESTED)

