



SOLVANG TECHNOLOGY INC.

www.solvangtech.com

Email : sales@solvangtech.com

1.5-13GHZ HIGHPASS FILTER WITH SMA FEMALE CONNECTORS P/NO.ST115-9955



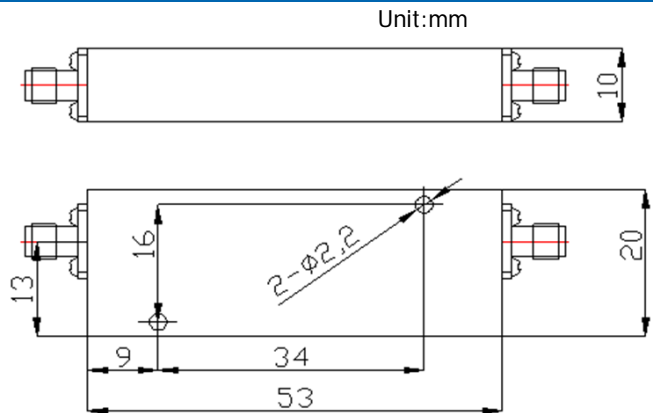
SPECIFICATION

Pass Band Frequency	1.5-13GHz
Rejection	50dB min.@DC-1GHz
Insertion Loss	2.0dB max.
Return Loss	10dB min.
Power Handling	5W
Impedance	50 Ohm
Operating Temperature	0~+ 55°C
Connector Type	SMA Female

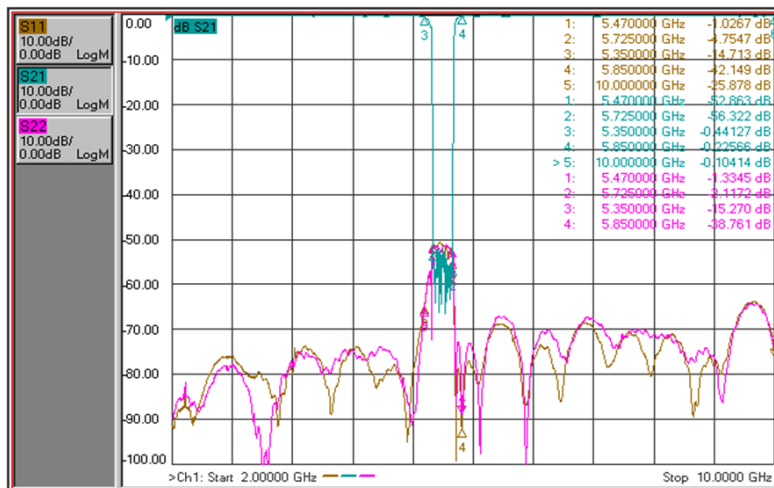
MATERIAL LIST

Part	Material	Plated
Housing	Aluminum	
Connector Body	Stainless Steel	
Center Contact	Barss	Gold

OUTLINE DRAWING



TESTING DATA (100% S-PARAMETER TESTED)



Any more request, please contact sales@solvangtech.com. Thank you ~