



**3.1-18GHZ HIGHPASS FILTER  
WITH SMA FEMALE CONNECTORS  
P/NO.STI15-9896**



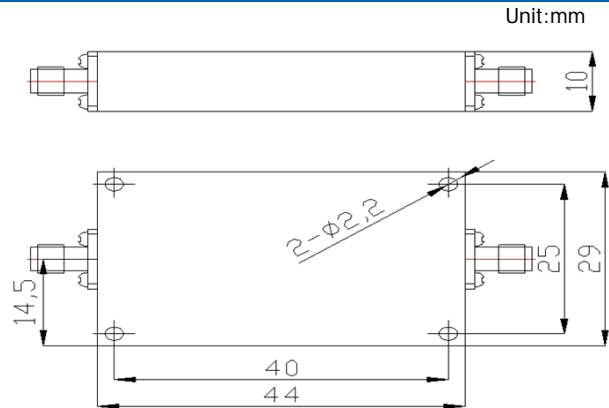
**SPECIFICATION**

Pass Band	3.1-18GHz
Insertion Loss	1.5dB max.
Return Loss	10dB min.
Rejection	50dB min.@DC-2480MHz
Power Handling	10W
Impedance	50 Ohm
Operating Temperature	0~+ 55℃
Connector Type	SMA Female

**MATERIAL LIST**

Part	Material	Plated
Housing	Aluminum	
Connector Body	Stainless Steel	
Center Contact	Beryllium Copper	Gold

**OUTLINE DRAWING**



**TESTING DATA ( 100% S-PARAMETER TESTED)**

