

18GHZ SP4T RF SWITCH SMA 12VDC

NORMALLY OPEN TTL 9PIN D-SUB

P/NO.STI12-0030



SPECIFICATION

Frequency	DC-18GHz
Isolation	DC-8GHz:80dB(Min.) 8-18GHz:70dB(Min.)
Insertion Loss	DC-8GHz:0.3dB(Max.) 8-12GHz:0.4dB(Max.) 12-18GHz:0.5dB(Max.)
VSWR	DC-8GHz:1.3:1(Max.) 8-12GHz:1.4:1(Max.) 12-18GHz:1.5:1(Max.)
Operating Voltage	DC12V/290mA
Life:	1,000,000 Cycles (Min.)
Switching Time	15ms (Max.)
Relative Humidity	5~85%
Vibration Operating	10G RMS@20~2000Hz
Mechanical Shock(Non-operating)	50G,1/2 Sine, 11 msec
Actuation	Normally Open
RF Connection	SMA Female
Impedance	50Ohm
Operating Temp.	-25~+ 65°C

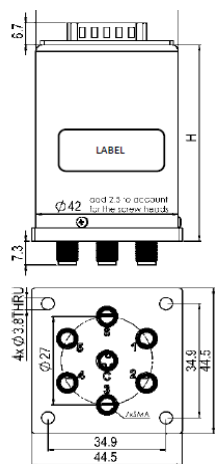
MATERIAL LIST

Part	Material	Plated
------	----------	--------



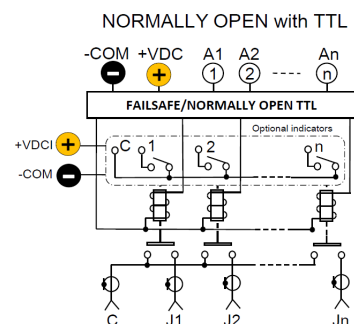
OUTLINE DRAWING

Unit:mm(Tolerance:±0.5mm)

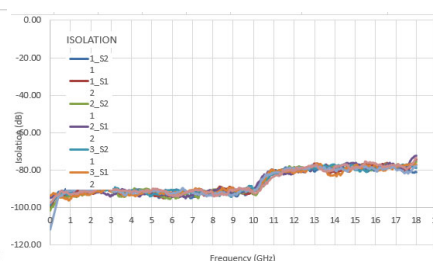
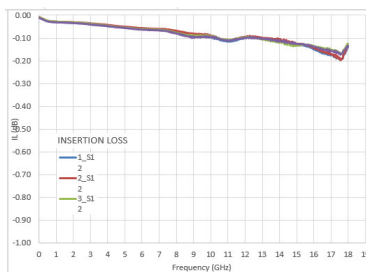
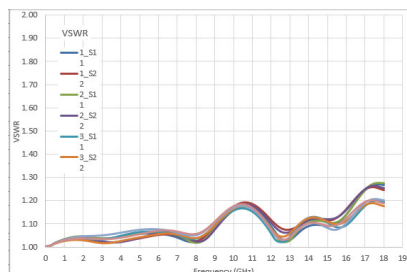


H:72mm(max.)

Normally Open 9-Pin D-SUB PINOUT	
Pin No.	PINOUT
1	A1(J1-COM)
2	A2(J2-COM)
3	UNUSED
4	A4(J4-COM)
5	A5(J5-COM)
6	UNUSED
7	COM(-)
8	UNUSED
9	+VDC



TESTING DATA (100% S-PARAMETER TESTED)



Any more request, please contact sales@solvangtech.com. Thank you ~