

## 50GHZ 500HM RATED TO 2W 2.4MM MALE

### TERMINATION P/NO.STI11-0020



#### SPECIFICATION

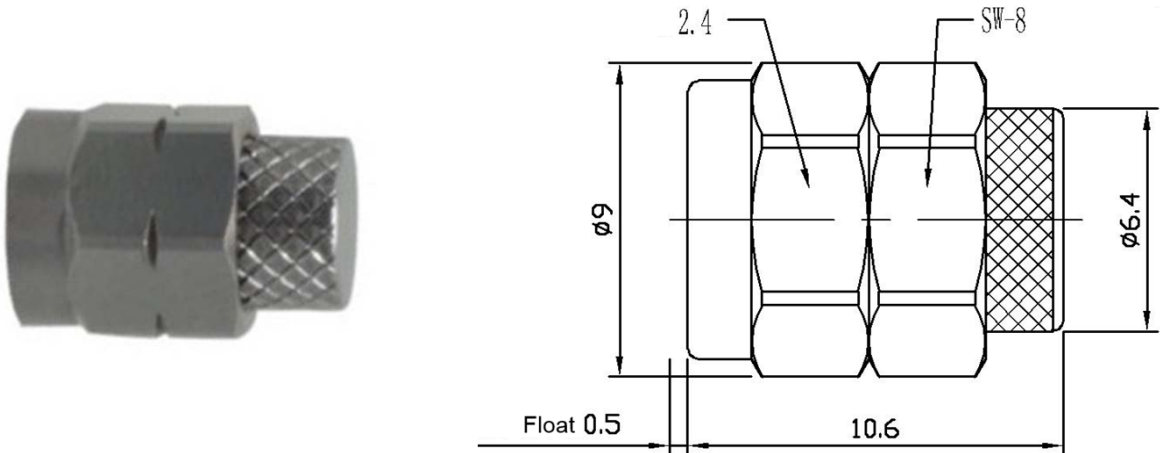
Frequency	DC-50GHz
VSWR	1.3:1(Max.)
Impedance:	50Ohm
Power:	Avg.2W @25℃ (Derated Linearly to 0.5Watts @ 125℃) Peak:125W (5 Usec Pulse, 1% Duty Cycle)
Durability:	500 Cycles
Temperature:	-55~125℃

#### MATERIAL LIST

Part	Material	Plated
Housing	Stainless Steel	
Center Conductor	Tin Bronze	Gold
Insualtor	PTFE	

#### OUTLINE DRAWING

Unit:mm



#### TESTING DATA ( 100% S-PARAMETER TESTED)

