



6GHZ 500HM RATED TO 0.5W SMA MALE

TERMINATION

P/NO.STI11-0001



SPECIFICATION

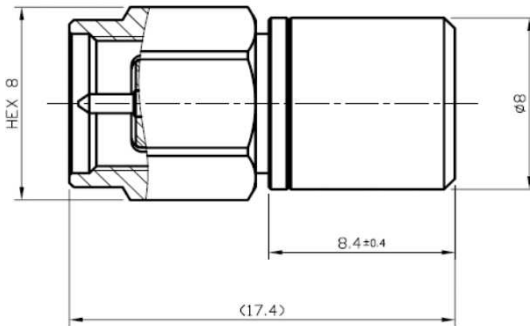
Frequency	DC-6GHz
VSWR:	1.3:1(Max.)
Impedance:	50ohm
Power:	0.5W
Durability:	500 Cycles
Temperature:	-40~85℃

MATERIAL LIST

Part	Material	Plated
Shell	Brass	Gold
Gasket	Silicone	Red
Inner Retaining Ring	Stainless Steel	
Body	Brass	Gold
Insulator	Teflon	
Center Pin	Brass	Gold
Retaining Holder	Brass	Gold

OUTLINE DRAWING

Unit:mm



TESTING DATA (100% S-PARAMETER TESTED)

