



SOLVANG TECHNOLOGY INC.

www.solvangtech.com

Email : sales@solvangtech.com

2-8GHZ 2WAY SMA POWER DIVIDER

RATED TO 20W

P/NO.STI08-0041



SPECIFICATION

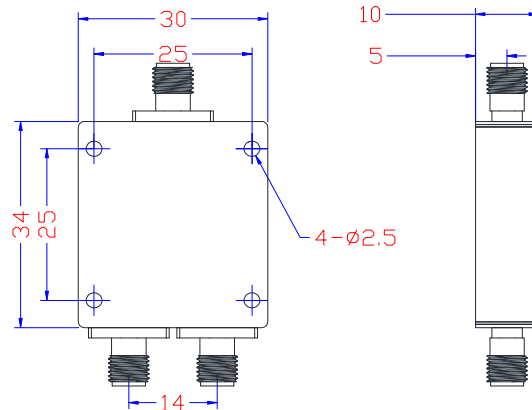
Frequency	2-8GHz
Isolation:	20dB(Min.)
Insertion Loss:	0.6dB(Max.)(excluding Theoretical Loss:3.0dB)
VSWR:	Input:1.3:1(Max.) Output:1.2:1(Max.)
Power :	Forward:20W/Reverse:2W
Amplitude Unblance:	±0.3dB(Max.)
Phase Unblance:	±3°(Max.)
Impedance:	50Ohm
Durability:	500 Cycles
Operating Temp.:	-40~85°C

MATERIAL LIST

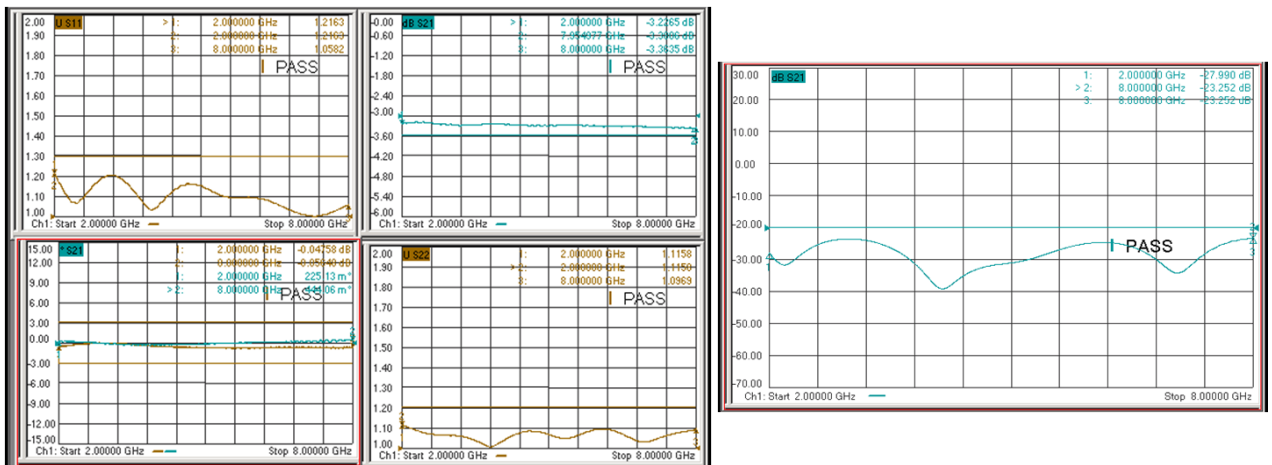
Part	Material	Plated
Connector	Brass	Nickel

OUTLING DRAWING

Unit:mm (Tolerance:±0.3)



TESTING DATA (100% S-PARAMETER TESTED)



Any more request, please contact sales@solvangtech.com. Thank you ~