



2-8GHZ 4WAY SMA POWER DIVIDER

RATED TO 10W

P/NO.STI08-0008



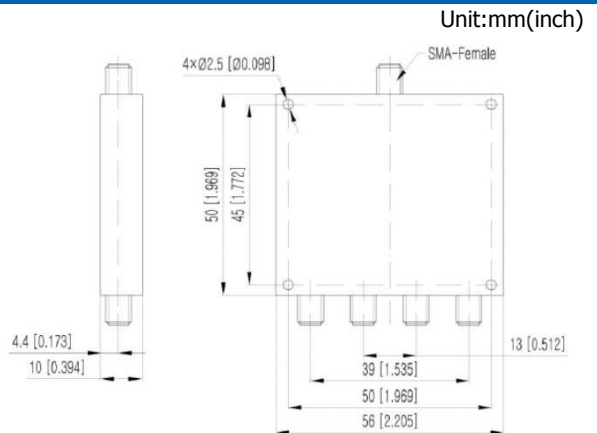
SPECIFICATION

Frequency	2-8GHz
Isolation:	20dB(Min.)
Insertion Loss:	1.4dB(Max.)(excluding Theoretical Loss:6.0dB)
VSWR:	Input:1.4:1(Max.) Output:1.3:1(Max.)
Power :	10W(Max.)
Amplitude Unblance:	±0.3dB(Max.)
Phase Unblance:	±3°(Max.)
Impedance:	50Ohm
Durability:	500 Cycles
Operating Temp.:	-25~65°C

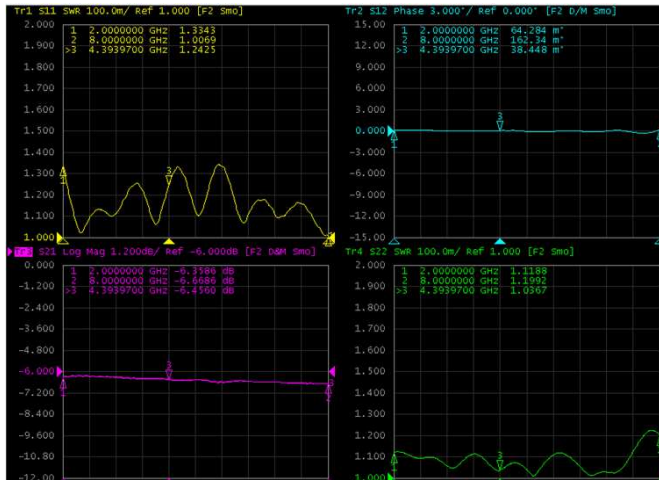
MATERIAL LIST

Part	Material	Plated
SMA Body	Brass	Nickel
Center contact	Brass	Gold
Housing	Aluminum	Paint

OUTLING DRAWING



TESTING DATA (100% S-PARAMETER TESTED)



Any more request, please contact sales@solvangtech.com. Thank you ~