



SOLVANG TECHNOLOGY INC.

www.solvangtech.com

Email : sales@solvangtech.com

6GHZ SMA MALE CONNECTOR
SOLDER ATTACHMENT FOR SS405/RG405
P/NO.STI06-0014



SPECIFICATION

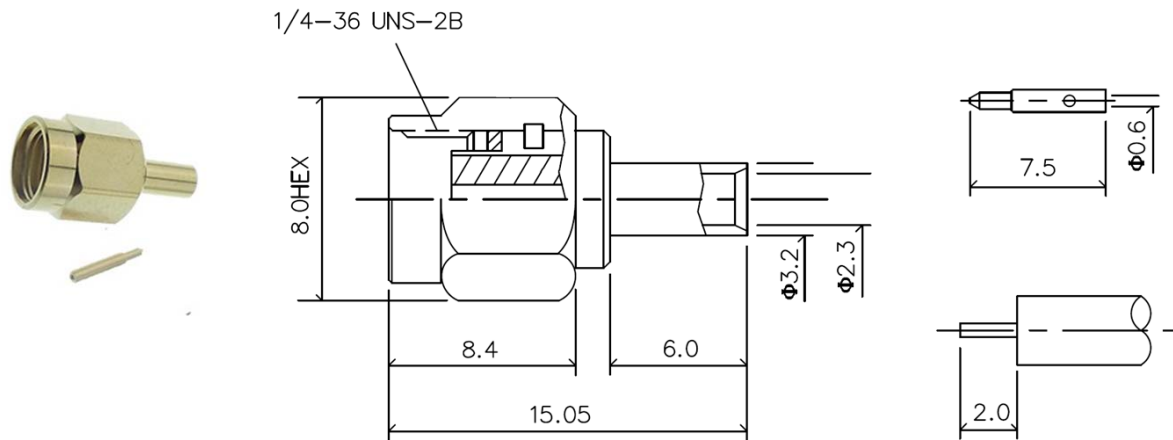
Frequency	DC-6GHz
VSWR:	1.3:1(Max.)
Impedance:	50Ohm
Durability:	500 Cycles
Temperature:	-65~155℃
Connection:	SMA Male

MATERIAL LIST

Part	Material	Plated
Body	Brass	Gold
Insulator	Teflon	
Center Pin	Brass	Gold
Gasket	Silicone	
Inner Retaining Ring	Beryllium Copper	Gold

OUTLINE DRAWING

Unit:mm



Any more request, please contact sales@solvangtech.com. Thank you ~