



SOLVANG TECHNOLOGY INC.

www.solvangtech.com

Email : sales@solvangtech.com

12.4GHZ SMA FEMALE CONNECTOR
2HOLE FLANGE SOLDER CUP TERMINAL
P/NO.STI06-0004



SPECIFICATION

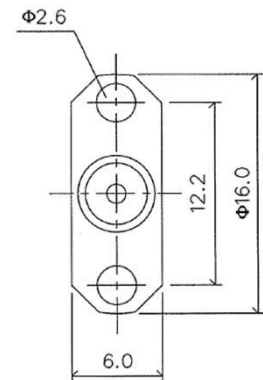
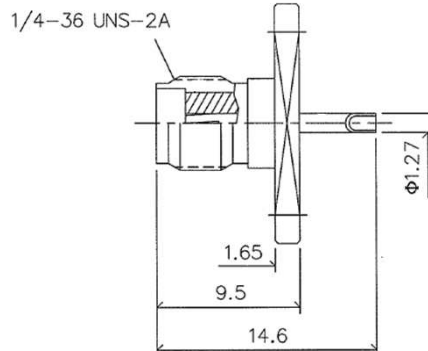
Frequency	DC-12.4GHz
Impedance:	50Ohm
Durability:	500 Cycles
Temperature:	-65~155℃
Connection:	SMA Female

MATERIAL LIST

Part	Material	Plated
Body	Brass	Gold
Insulator	Teflon	
Center Pin	Beryllium Copper	Gold

OUTLINE DRAWING

Unit:mm



Any more request, please contact sales@solvangtech.com. Thank you ~