



SOLVANG TECHNOLOGY INC.

www.solvangtech.com

Email : sales@solvangtech.com

12.4GHZ SMA FEMALE CONNECTOR

END LAUNCH PCB , 1.6MM

P/NO.STI06-0002



SPECIFICATION

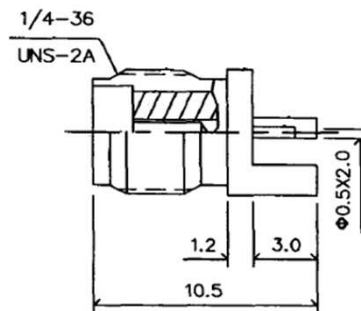
Frequency	DC-12.4GHz
Impedance:	50Ohm
Durability:	500 Cycles
Temperature:	-65~155°C
Connection:	SMA Female

MATERIAL LIST

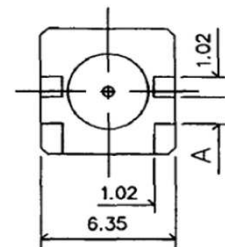
Part	Material	Plated
Body	Brass	Gold
Insulator	Teflon	
Center Pin	Beryllium Copper	Gold

OUTLINE DRAWING

Unit:mm



A=1.6



Any more request, please contact sales@solvangtech.com. Thank you ~