



### 50GHZ FIXED ATTENUATOR

### 2.4MM MALE TO FEMALE RATED TO 2W

### P/NO.STI02-8200-XX



#### SPECIFICATION

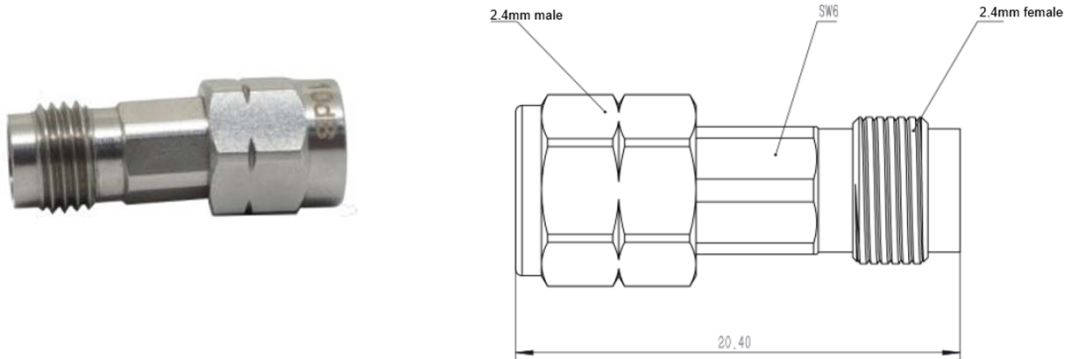
Frequency	DC-50GHz
Attenuation Value:	1,2,3,6,10,20,30dB
Attenuation Accuracy:	1,2,3,6,10,20dB:± 1.0dB 30dB:± 1.5dB
VSWR:	1.3:1(Max.)
Power :	Avg.2W @25°C ( Derated Linearly to 0.2Watts @ 125°C)
Impedance:	50Ohm
Durability:	500 Cycles
Operating Temp.:	-55~125°C

#### MATERIAL LIST

Part	Material	Plated
Body	Stainless Steel	
Center Conductor	Phosphor Bronze/Beryllium Copper	Gold

#### OUTLING DRAWING

Unit:mm Tolerance:±2%



#### TESTING DATA ( 100% S-PARAMETER TESTED)

