



**SOLVANG TECHNOLOGY INC.**

www.solvangtech.com

Email : sales@solvangtech.com

**50GHZ FIXED ATTENUATOR**  
**2.4MM MALE TO FEMALE RATED TO 2W**  
**P/NO.STI02-8200-XX**



**SPECIFICATION**

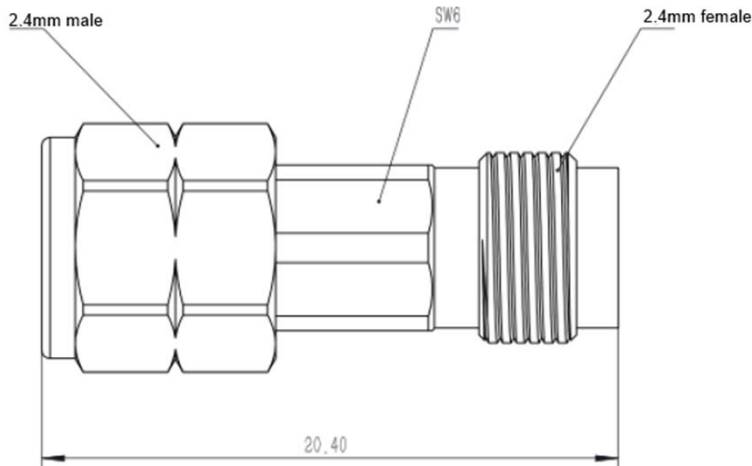
Frequency	DC-50GHz
Attenuation Value:	1,2,3,6,10,20,30dB
Attenuation Accuracy:	1,2,3,6,10,20dB:± 1.0dB 30dB:± 1.5dB
VSWR:	1.3:1(Max.)
Power :	Avg.2W @25℃ ( Derated Linearly to 0.2Watts @ 125℃)
Impedance:	50Ohm
Durability:	500 Cycles
Operating Temp.:	-55~125℃

**MATERIAL LIST**

Part	Material	Plated
Body	Stainless Steel	
Center Conductor	Phosphor Bronze/Beryllium Copper	Gold

**OUTLING DRAWING**

Unit:mm Tolerance:±2%



Any more request, please contact sales@solvangtech.com. Thank you ~