



SOLVANG TECHNOLOY INC.

www.solvangtech.com

Email : sales@solvangtech.com

12GHZ FIXED ATTENUATOR

SMA MALE TO SMA FEMALE RATED TO 5W

P/NO.STI02-4200-XX



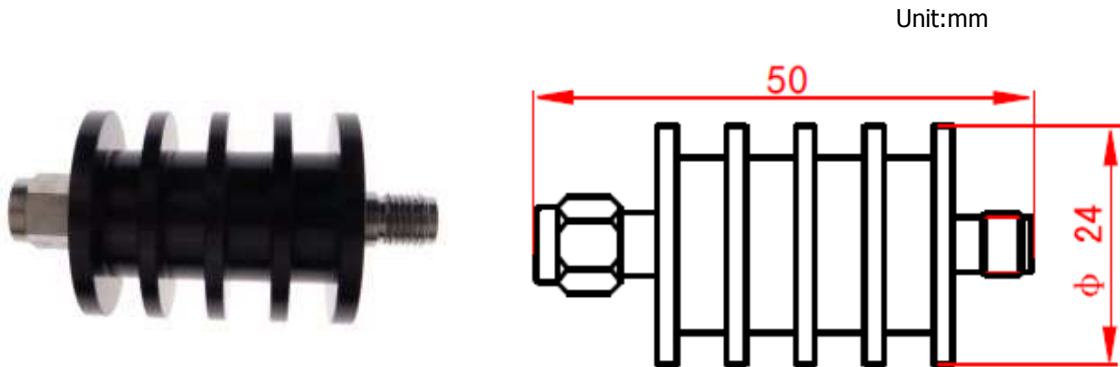
SPECIFICATION

Frequency	DC-12GHz
Attenuation Value:	3,5,6,10,15,20,30dB
Attenuation Accuracy:	3,5,6,10dB:± 0.6dB 15,20dB:± 0.8dB 30dB:± 1.0dB
VSWR:	1.35:1(Max.)
Power :	5W Avg. 500W Peak
Impedance:	50Ohm
Durability:	500 Cycles

MATERIAL LIST

Part	Material	Plated
Outer Conductor	Brass	Nickel
Center Conductor	Brass	Gold
Housing	Aluminum	Black

OUTLING DRAWING



Any more request, please contact sales@solvangtech.com. Thank you ~