

6GHZ FIXED ATTENUATOR

SMA MALE TO SMA FEMALE RATED TO 2W

P/NO.STI02-3199-XX



SPECIFICATION

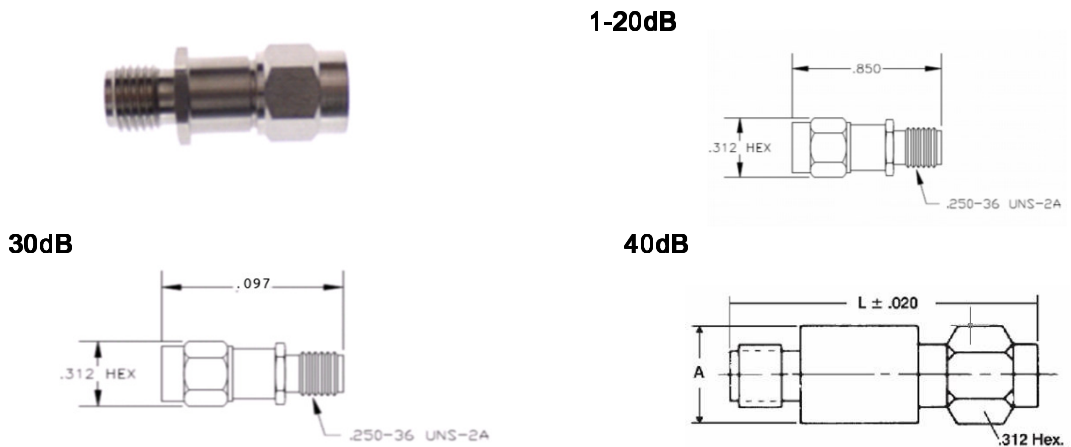
Frequency	DC-6GHz
Attenuation Value:	1,2,3,4,5,6,7,8,9,10,12,15,20,30,40dB
Attenuation Accuracy:	0-20dB:± 0.5dB 30dB:± 0.75dB 40dB:± 1.15dB
VSWR:	1.15:1(Max.)@DC-2.5GHz 0-6dB:1.2:1(Max.)@2.5-6GHz 7-12dB:1.25:1(Max.)@2.5-6GHz 15-40dB:1.3:1(Max.)@2.5-6GHz
Power :	2W Avg.@25°C 200W Peak (5 Usec Pulse, 0.10% Duty Cycle)
Impedance:	50Ohm
Durability:	500 Cycles
Operating Temp.:	-65~125°C

MATERIAL LIST

Part	Material	Plated
Body	Stainless Steels	Nickel
Center Conductor	Beryllium Copper	Gold
Insulator	TFE (E=2.2-2.4)	
Gasket	Silicon Rubber	
Attenuator Chips	Alumina Substrate	Thick Film

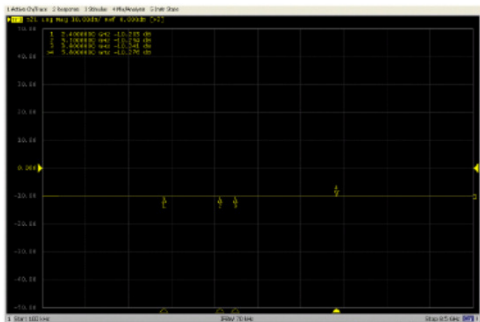
OUTLING DRAWING

Unit:inch



TESTING DATA (100% S-PARAMETER TESTED)

10dB



20dB

