



SOLVANG TECHNOLOY INC.

www.solvangtech.com

Email : sales@solvangtech.com

**6GHZ 7/16 MALE TO N FEMAL
ADAPTER
P/NO.STI01-9036**



SPECIFICATION

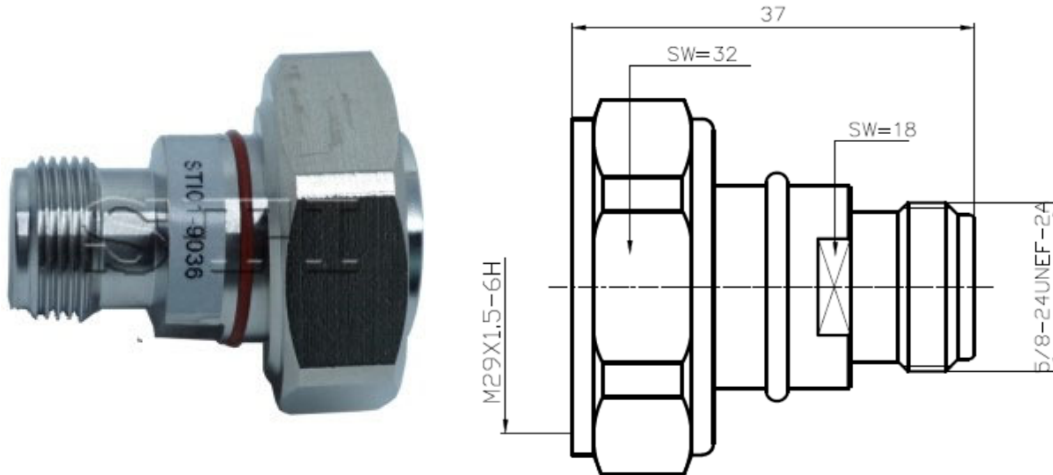
Frequency	DC-6GHz
VSWR:	1.2:1(Max.)
Impedance:	50Ohm
Durability:	500 Cycles
Operating Temperature:	-40~125℃

MATERIAL LIST

Part	Material	Plated
Body	Brass	Tri-Metal
Center Conductor	Beryllium Copper	Silver
Insulator	PTFE	

OUTLINE DRAWING

Unit:mm



Any more request, please contact sales@solvangtech.com. Thank you ~