



40GHZ 2.92MM FEMALE TO SMPM FEMALE

ADAPTER

P/NO.STI01-7056



SPECIFICATION

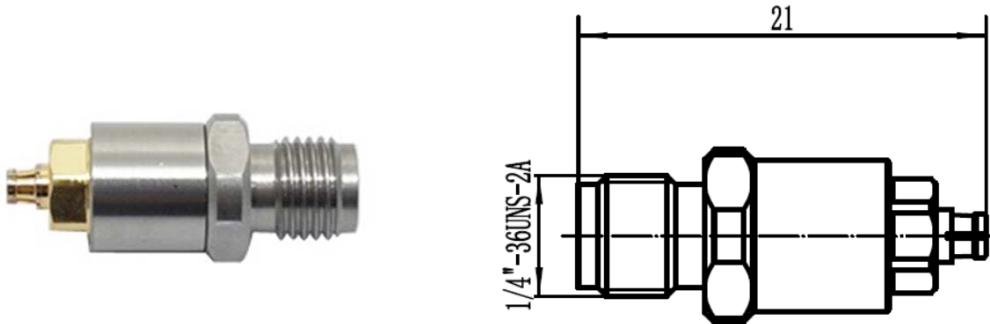
Frequency	DC-40GHz
VSWR:	1.2:1(Max.)
Impedance:	50Ohm
Durability:	300 Cycles
Temperature:	-55~125℃

MATERIAL LIST

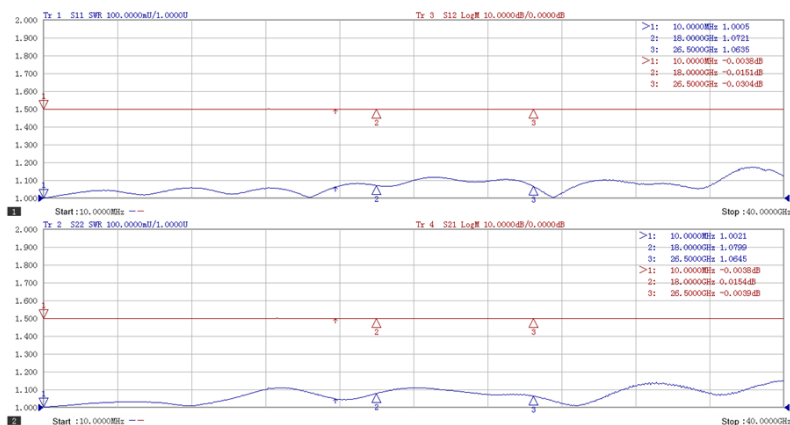
Part	Material	Plated
Body	Stainless Steel	Passivated
2.92mm SMPM	Beryllium Copper	Gold
Center Contact	Beryllium Copper	Gold
Insulator	PEI	

OUTLINE DRAWING

Unit:mm Tolerance:±2%



TESTING DATA (100% S-PARAMETER TESTED)



Any more request, please contact sales@solvangtech.com. Thank you ~