



SOLVANG TECHNOLOGY INC.

www.solvangtech.com

Email : sales@solvangtech.com

40GHZ 2.92MM MALE TO 2.92MM FEMALE

ADAPTER

P/NO.STI01-7009



SPECIFICATION

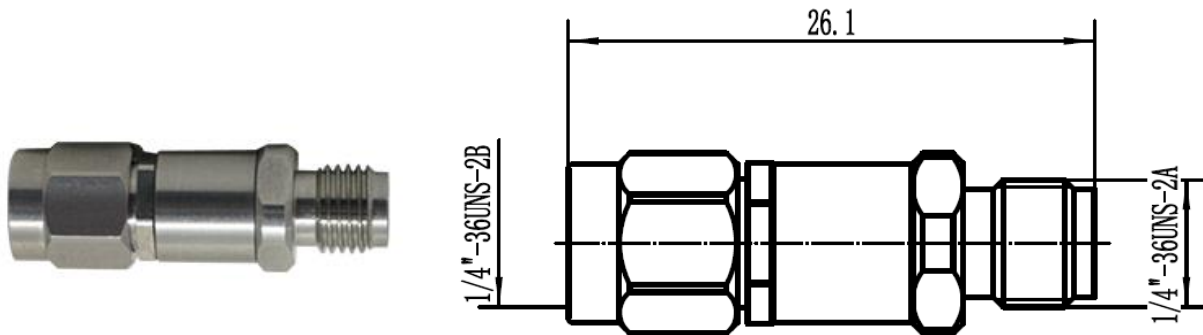
Frequency	DC-40GHz
VSWR:	1.12:1(Max.)
Impedance:	50ohm

MATERIAL LIST

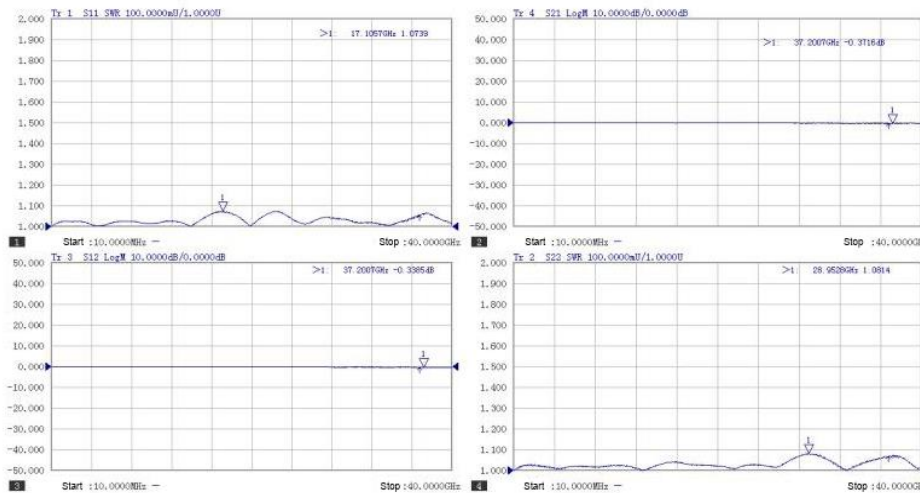
Part	Material	Plated
Body	Stainless Steel	
Center Contact	Beryllium Copper	Gold
Insulator	PEI	

OUTLINE DRAWING

Unit:mm



TESTING DATA (100% S-PARAMETER TESTED)



Any more request, please contact sales@solvangtech.com. Thank you ~