



SOLVANG TECHNOLOGY INC.

www.solvangtech.com

Email : sales@solvangtech.com

10GHZ 50Ω QUICK SMA MALE TO REVERSE SMA FEMALE

ADAPTER

P/NO.STI01-0238



SPECIFICATION

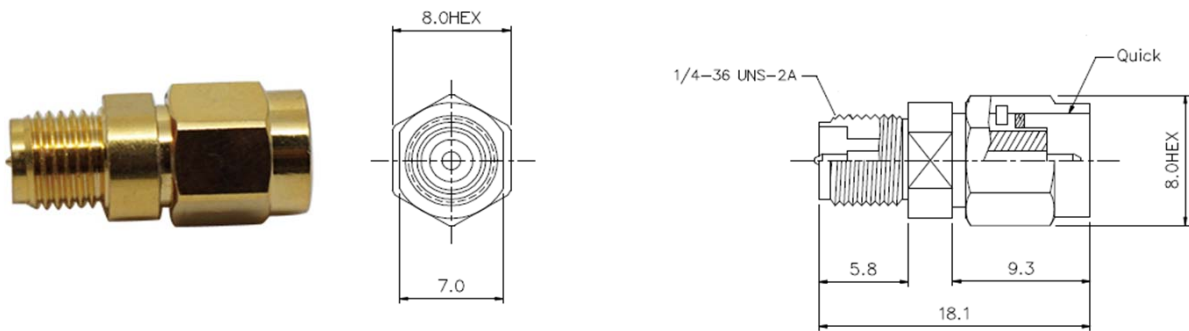
Frequency	DC-10GHz
VSWR:	1.3:1(Max.)
Impedance:	50Ohm
Durability:	500 Cycles
Temperature:	-65~155℃

MATERIAL LIST

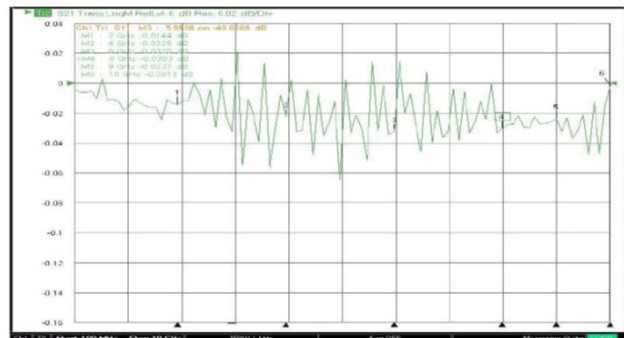
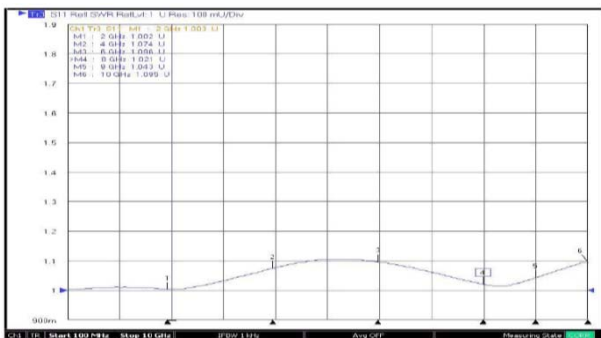
Part	Material	Plated
Body	Brass	Gold
Insulator	Teflon	
Center Pin	Brass	Gold
C-ring	Beryllium Copper	
Gasket	Silicone	
Shell	Brass	Gold

OUTLINE DRAWING

Tolerance:X=±0.2 X.X=±0.1 X.XX=±0.05 Unit:mm



TESTING DATA (100% S-PARAMETER TESTED)



Any more request, please contact sales@solvangtech.com. Thank you ~