

10GHZ 50Ω SMA FEMALE TO SMA FEMALE BULKHEAD
WITH O-RING ADAPTER
P/NO.STI01-0234


SPECIFICATION

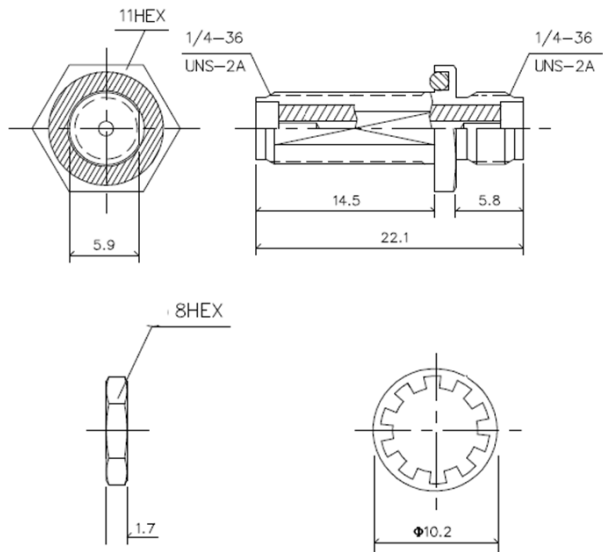
Frequency	DC-10GHz
VSWR:	1.2:1(Max.)
Impedance:	50ohm
Durability:	500 Cycles
Temperature:	-65~155℃

MATERIAL LIST

Part	Material	Plated
Body	Brass	Gold
Insulator	Teflon	
Center Pin	Beryllium Copper	Gold
O-ring	Silicone	Red
Nut	Brass	Gold
Washer	Brass	Gold

OUTLINE DRAWING

Tolerance:X=±0.2 X.X=±0.1 X.XX=±0.05 Unit:mm


TESTING DATA (100% S-PARAMETER TESTED)
