



SOLVANG TECHNOLOGY INC.

www.solvangtech.com

Email : sales@solvangtech.com

18GHZ RIGHT ANGLE STAINLESS SMA MALE TO GOLD REVERSE POLARITY SMA FEMALE ADAPTER P/NO.STI01-0232



SPECIFICATION

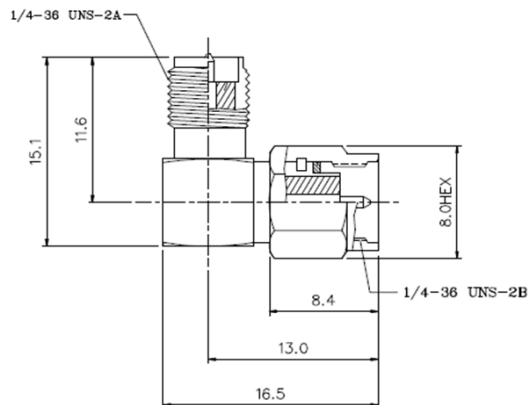
Frequency	DC-18GHz
VSWR:	1.55:1(Max.)
Insertion Loss:	0.25dB(Max.)
Impedance:	50Ohm
Durability:	500 Cycles
Temperature:	-65~155°C

MATERIAL LIST

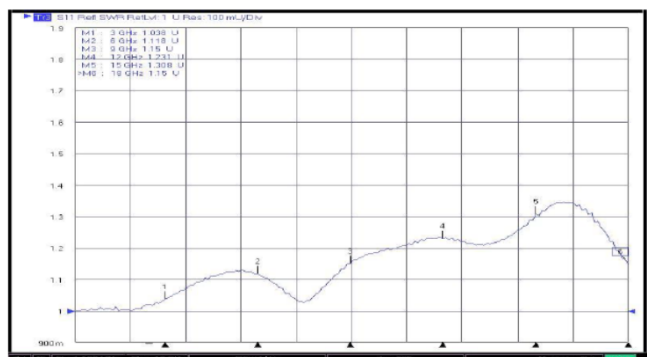
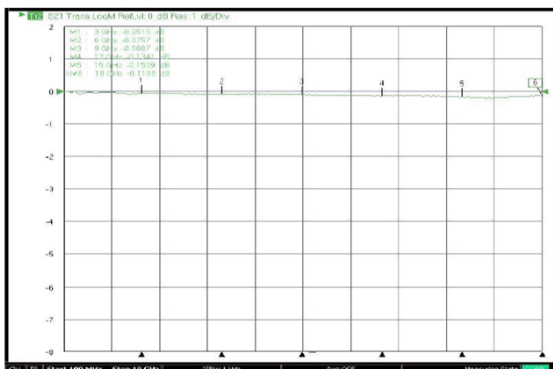
Part	Material	Plated
Body	Brass	Gold
Center Pin	Brass	Gold
Insulator	PTFE	
C-ring	Beryllium Copper	
Gasket	Silicon	
Shell	Stainless Steel	Passtivated

OUTLINE DRAWING

Tolerance: X=±0.2 X.X=±0.1 X.XX=±0.05 Unit:mm



TESTING DATA (100% S-PARAMETER TESTED)



Any more request, please contact sales@solvangtech.com. Thank you ~