



SOLVANG TECHNOLOGY INC.

www.solvangtech.com

Email : sales@solvangtech.com

10GHZ REVERSE POLARITY SMA MALE TO SMA FEMALE

ADAPTER

P/NO.STI01-0226



SPECIFICATION

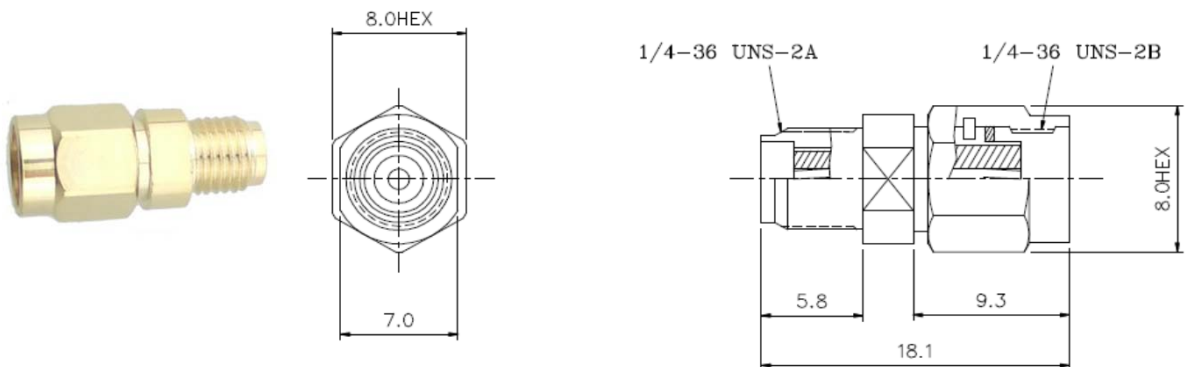
Frequency	DC-10GHz
VSWR:	1.2:1(Max.)
Insertion Loss:	0.5dB(Max.)
Impedance:	50Ohm
Durability:	500 Cycles
Temperature:	-65~155°C

MATERIAL LIST

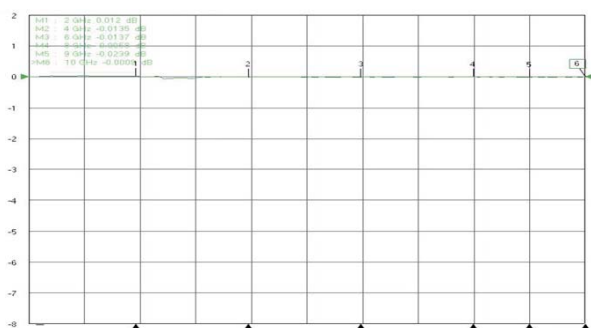
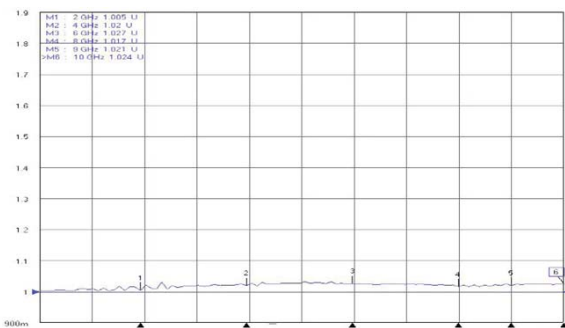
Part	Material	Plated
Body	Brass	Gold
Center Pin	Beryllium Copper	Gold
Insulator	PTFE	
C-ring	Beryllium Copper	
Gasket	Silicon	

OUTLINE DRAWING

Tolerance:X=±0.2 X.X=±0.1 X.XX=±0.05 Unit:mm



TESTING DATA (100% S-PARAMETER TESTED)



Any more request, please contact sales@solvangtech.com. Thank you ~