



**SOLVANG TECHNOLOGY INC.**

www.solvangtech.com

Email : sales@solvangtech.com

**18GHZ RIGHT ANGLE STAINLESS REVERSE POLARITY SMA MALE  
TO GOLD REVERSE POLARITY SMA FEMALE ADAPTER  
P/NO.STI01-0203**



**SPECIFICATION**

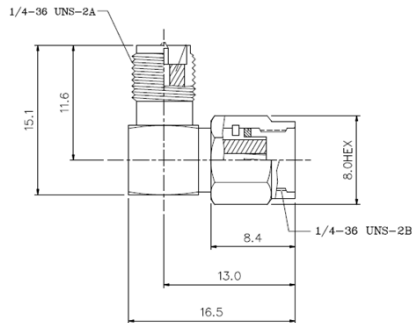
Frequency	DC~18GHz
VSWR:	1.6:1(Max.)
Insertion Loss:	0.30dB(Max.)
Impedance:	50Ohm
Durability:	500 Cycles
Temperature:	-65~155°C

**MATERIAL LIST**

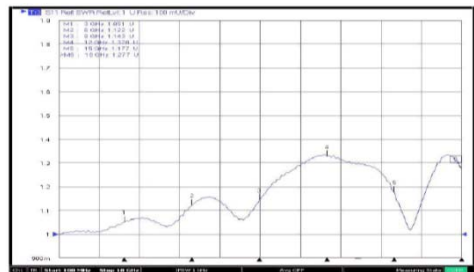
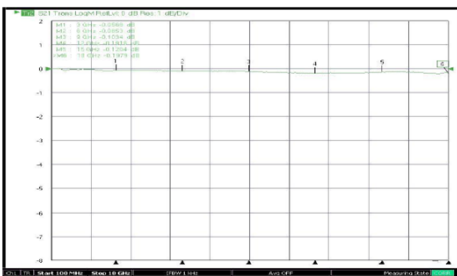
Part	Material	Plated
Body	Brass	Gold
Center Pin	Beryllium Copper	Gold
Insulator	PTFE	
Shell	SUS303	Passivated
C-Ring	Beryllium Copper	
Gasket	Silicon	

**OUTLINE DRAWING**

Tolerance: X=±0.2 X.X=±0.1 X.XX=±0.05 Unit:mm



**TESTING DATA ( 100% S-PARAMETER TESTED)**



Any more request, please contact sales@solvangtech.com. Thank you ~