

Features:

High Repeatability
Low VSWR



Unit:mm

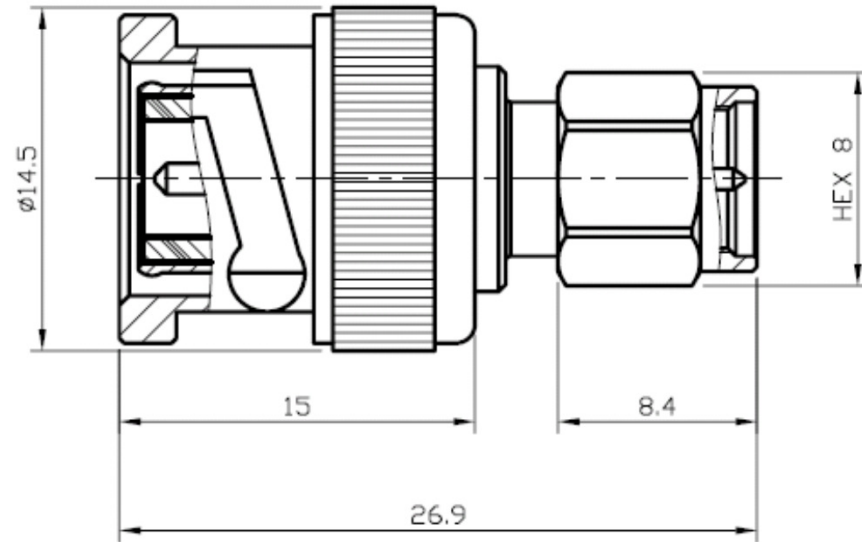
Specifications:

Electrical:

Frequency:DC-4GHz
VSWR:1.4:1(Max.)
Impedance: 50Ohm
Connection: SMA Male to BNC Male

Mechanical:

Durability:500 Cycles



Material:

Part	Material	Plated
Body	Brass	Nickel
Insulator	Teflon	
Center Pin	Brass	Gold
Shell	Brass	Nickel
Washer	Steel	Nickel
Spring	SK5	Nickel
Inner Retaining Ring	Stainless Steel	
Gasket	Rubber	

UNLESS OTHERWISE SPECIFIED ALL DIMENSIONS ARE IN mm AND TOLERANCES ARE:				woken Technology Inc.	
INTEGRAL DIMENSIONS ± TOLINT		ANGULAR DIMENSIONS ±TOLANG		CODE	DWG TITLE
x ±0.38	.xx ±0.15	HOLES UNDER Ø5.0 ±0.05			4GHz BNC(M)-SMA(M) Adapter
.x ±0.25	.xx x ±0.05			SIZE	
THIRD ANGLE PROJECTION		DRAWN	Terence	12/07/07	DWG NO.
		ENGR	Jack	12/07/07	
		APVD	James	12/07/07	00600A1D1GA017