



**SOLVANG TECHNOLOY INC.**

www.solvangtech.com

Email : sales@solvangtech.com

**10GHZ 50Ω SMA MALE TO REVERSE SMA MALE  
ADAPTER/GOLD/AIR INSULATOR  
P/NO.STI01-0189**



**SPECIFICATION**

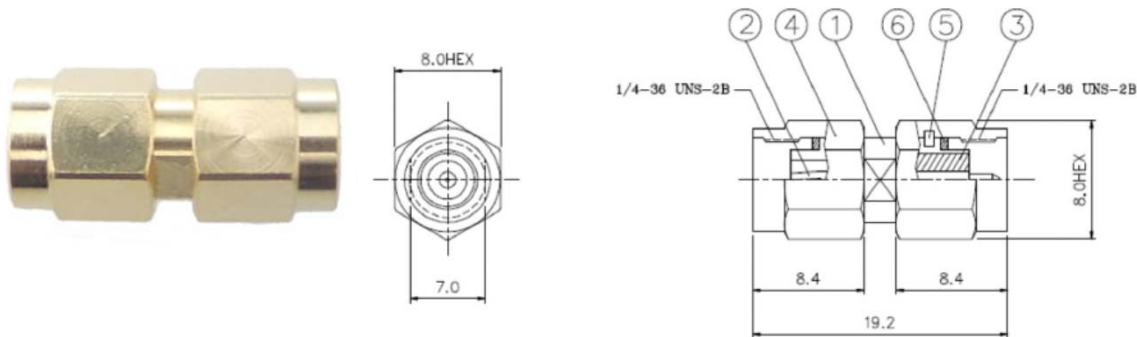
Frequency	DC-10GHz
VSWR:	1.1:1(Max.)
Impedance:	50Ohm
Durability:	500 Cycles
Temperature:	-65~155℃

**MATERIAL LIST**

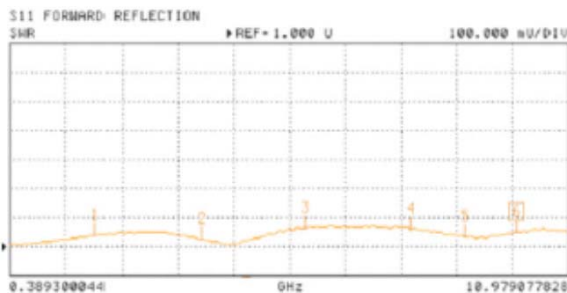
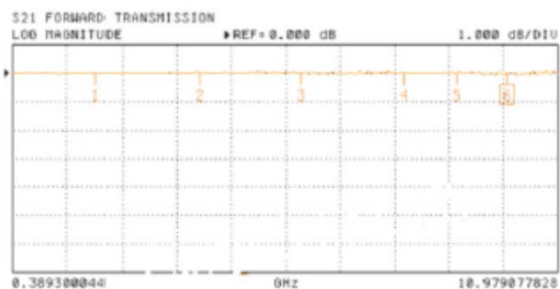
Part	Material	Plated
Body	Brass	Gold
Center Pin	BeCu	Gold
Insulator	Teflon	
Shell	Brass	Gold
Inner Retaining Ring	BeCu	
Casket	Silicone	

**OUTLINE DRAWING**

Unit:mm



**TESTING DATA ( 100% S-PARAMETER TESTED)**



Any more request, please contact sales@solvangtech.com. Thank you ~