

# 10GHZ SMA MALE TO SMA MALE

## ADAPTER P/NO.STI01-0187



### SPECIFICATION

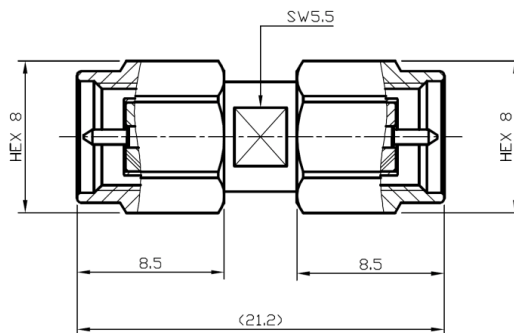
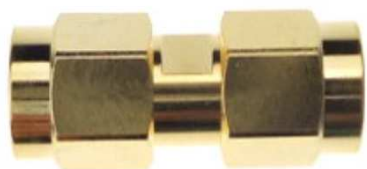
Frequency	DC-10GHz
VSWR:	1.3:1(Max.)
Impedance:	50ohm
Durability:	500 Cycles
Temperature:	-40~85℃

### MATERIAL LIST

Part	Material	Plated
Body	Brass	Gold
Center Pin	Brass	Gold
Insulator	Teflon	
Inner Retaining Ring	Stainless	
Gasket	Silicone	
Shell	Brass	Gold

### OUTLINE DRAWING

Unit:mm



### TESTING DATA ( 100% S-PARAMETER TESTED)

