



SOLVANG TECHNOLOGY INC.

www.solvangtech.com

Email : sales@solvangtech.com

10GHZ 50Ω QUICK REVERSE SMA MALE TO REVERSE SMA FEMALE

ADAPTER

P/NO.STI01-0179



SPECIFICATION

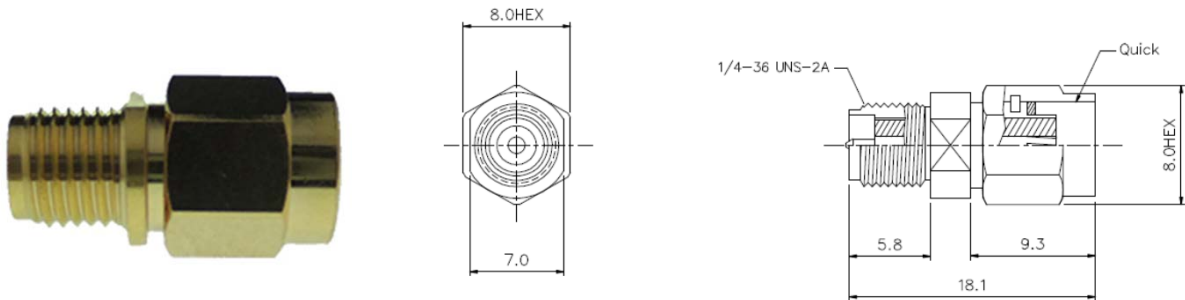
Frequency	DC-10GHz
VSWR:	1.3:1(Max.)
Insertion Loss:	0.3dB(Max.)
Impedance:	50Ohm
Durability:	500 Cycles
Temperature:	-65~155℃

MATERIAL LIST

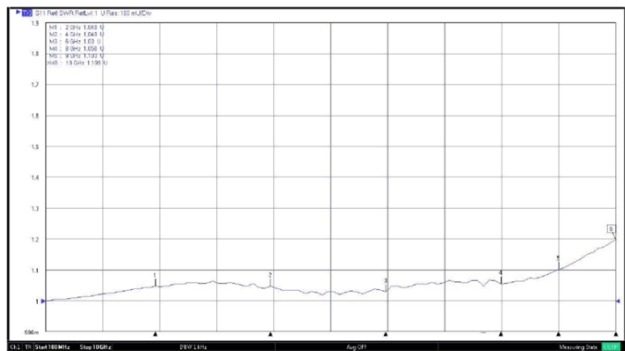
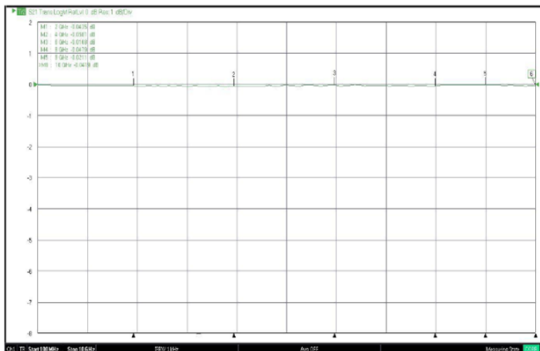
Part	Material	Plated
Body	Brass	Gold
Center Pin	Beryllium Copper	Gold
Insulator	Teflon	
Shell	Brass	Gold
C-Ring	Beryllium Copper	
Gasket	Silicon	

OUTLINE DRAWING

Unit:mm(Tolerance:x=±0.2 ,x.x=±0.1, x.xx=±0.05)



TESTING DATA (100% S-PARAMETER TESTED)



Any more request, please contact sales@solvangtech.com. Thank you ~