

## 6GHZ SMA MALE TO REVERSE SMA FEMALE ADAPTER P/NO.STI01-0170



### SPECIFICATION

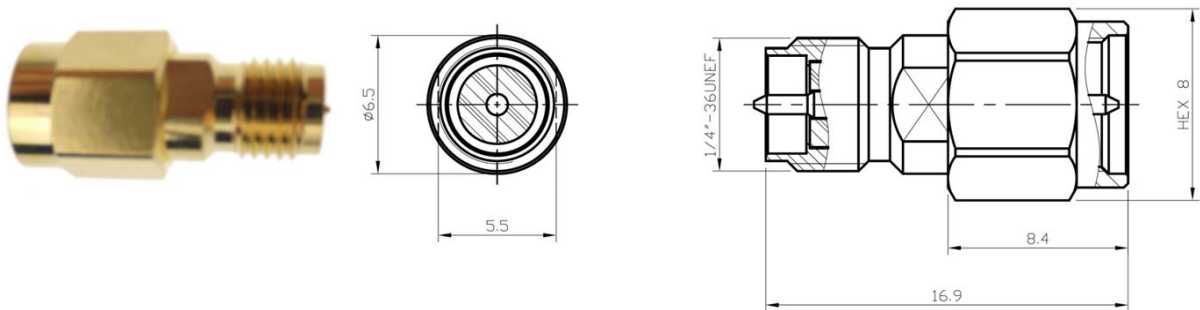
Frequency	DC-6GHz
VSWR:	1.3:1(Max.)
Insertion Loss:	0.3dB(Max.)@DC-3GHz 0.5dB(Max.)@3-6GHz
Impedance:	50Ohm
Durability:	500 Cycles
Temperature:	-40~85℃

### MATERIAL LIST

Part	Material	Plated
Body	Brass	Gold
Center Pin	Phosphor Bronze	Gold
Insulator	Teflon	
Inner Retaining Ring	Stainless	
Shell	Brass	Gold
Gasket	Silicone	

### OUTLINE DRAWING

Unit:mm(Tolerance:±0.4mm)



### TESTING DATA ( 100% S-PARAMETER TESTED)

