

10GHZ 50Ω REVERSE SMA MALE TO SMA FEMALE ADAPTER P/NO.STI01-0165



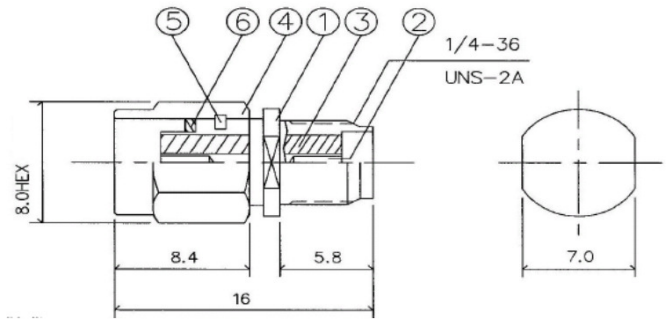
SPECIFICATION

Frequency	DC-10GHz
VSWR:	1.1:1(Max.)
Impedance:	50Ohm
Durability:	500 Cycles
Temperature:	-65~155℃

MATERIAL LIST

Part	Material	Plated
Body	Brass	Gold
Center Contact	Beryllium Copper	Gold
Insulator	Teflon	
C-Ring	Beryllium Copper	
Gasket	Silicon	
Shell	Brass	Gold

OUTLINE DRAWING



TESTING DATA (100% S-PARAMETER TESTED)

