



SOLVANG TECHNOLOGY INC.

www.solvangtech.com

Email : sales@solvangtech.com

6GHZ QMA MALE TO SMA FEMALE

ADAPTER

P/NO.STI01-0155



SPECIFICATION

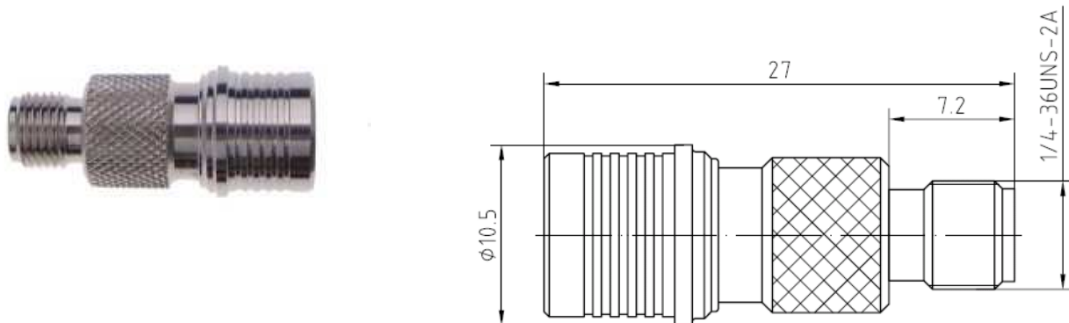
Frequency	DC-6GHz
Return Loss:	35dB(Min.)@DC-1GHz 25dB(Min.)@1-2.5GHz 18dB(Min.)@2.5-6GHz
Impedance:	50Ohm
Durability:	100 Cycles
Temperature:	-40°C~85°C

MATERIAL LIST

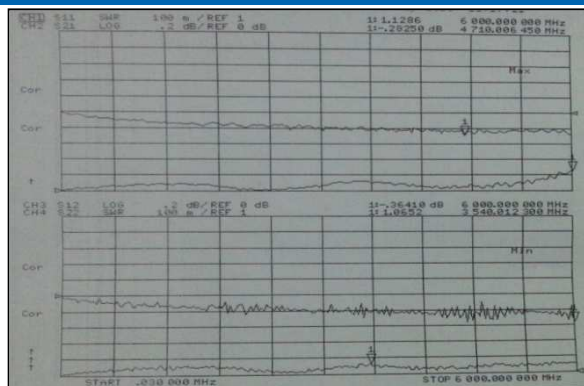
Part	Material	Plated
Body	Brass	Nickel
Center Contact	Beryllium Copper	Gold
Insulator	Teflon	

OUTLINE DRAWING

Unit:mm



TESTING DATA (100% S-PARAMETER TESTED)



Any more request, please contact sales@solvangtech.com. Thank you ~