



**18GHZ SMA MALE TO SMA MALE
ADAPTER
P/NO.STI01-0150**



SPECIFICATION

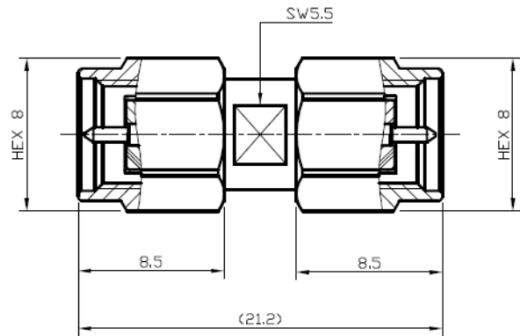
Frequency	DC-18GHz
VSWR:	1.3:1(Max.)
Impedance:	50Ohm
Durability:	500 Cycles
Temperature:	-40~85℃

MATERIAL LIST

Part	Material	Plated
Body	Brass	Gold
Center Pin	Brass	Gold
Insulator	Teflon	Gold
Inner Retaining Ring	Stainless	
Gasket	Silicone	
Shell	Brass	Gold

OUTLINE DRAWING

Unit:mm



TESTING DATA (100% S-PARAMETER TESTED)



Any more request, please contact sales@solvangtech.com. Thank you ~