



3GHZ BNC FEMALE TO N MALE

75OHM ADAPTER

P/NO.STI01-0143



SPECIFICATION

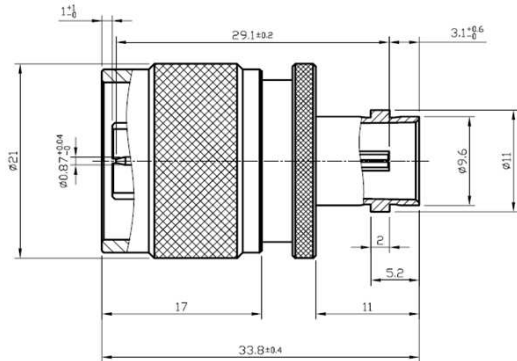
Frequency	DC-3GHz
VSWR:	1.3:1(Max.)
Impedance:	75Ohm
Durability:	500 Cycles
Temperature:	-40~85℃

MATERIAL LIST

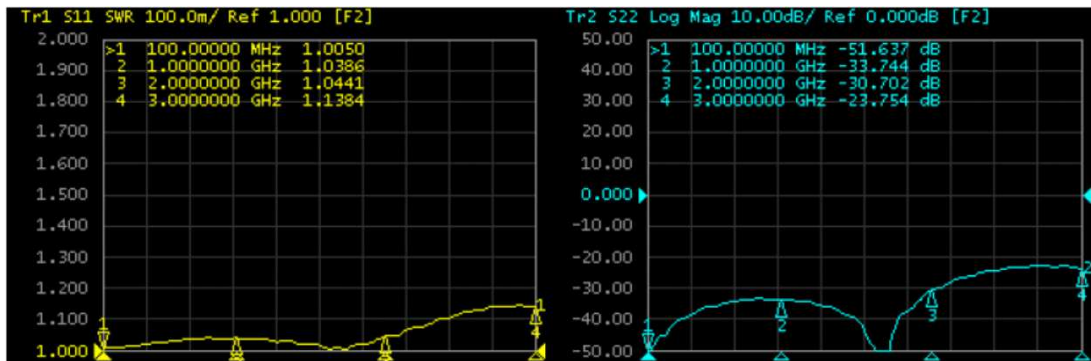
Part	Material	Plated
Body	Brass	Nickel
Center Pin	Phosphor Bronze	Gold
Insulator	Teflon	
Gasket	Silicone	
Inner Retaining Ring	Brass	
Body	Brass	Nickel
Insulator	Teflon	
Shell	Brass	Nickel

OUTLINE DRAWING

Unit:mm



TESTING DATA (100% S-PARAMETER TESTED)



Any more request, please contact sales@solvangtech.com. Thank you ~