



3GHZ BNC FEMALE TO F MALE

75OHM ADAPTER

P/NO.STI01-0140



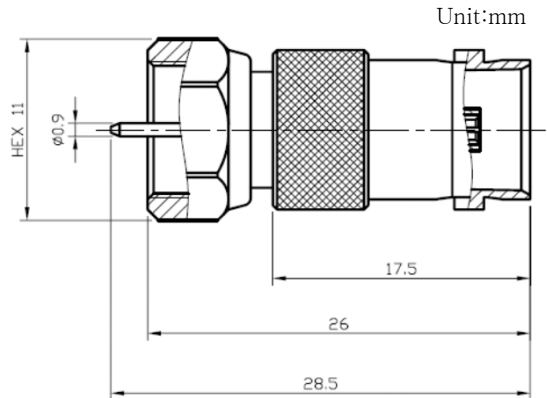
SPECIFICATION

Frequency	DC-3GHz
VSWR:	1.3:1(Max.)
Impedance:	75Ohm
Durability:	500 Cycles
Temperature:	-40~85℃

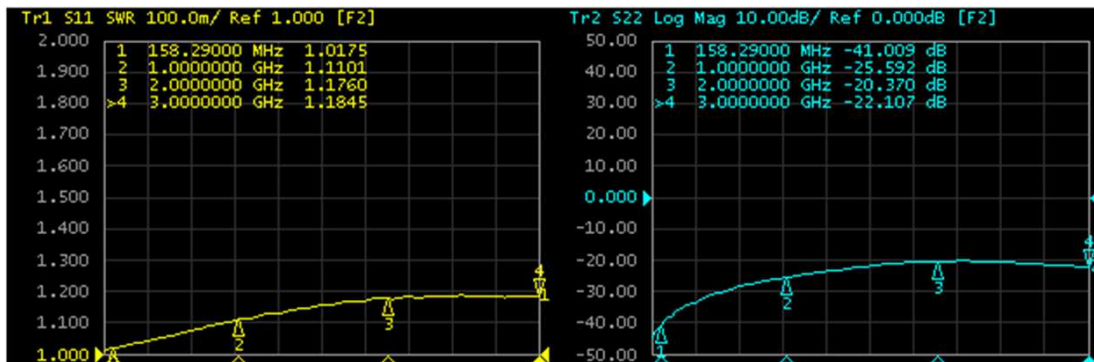
MATERIAL LIST

Part	Material	Plated
Body	Brass	Nickel
Center Pin	Phosphor Bronze	Gold
Insulator	Teflon	
Body	Brass	Nickel
Center Pin	Brass	Gold
Insulator	POM	
Press Washer	Brass	Nickel

OUTLINE DRAWING



TESTING DATA (100% S-PARAMETER TESTED)



Any more request, please contact sales@solvangtech.com. Thank you ~