



3GHZ N FEMALE TO F FEMALE

75OHM ADAPTER

P/NO.STI01-0137



SPECIFICATION

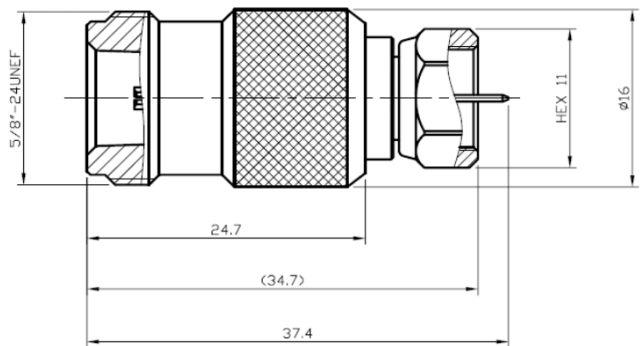
Frequency	DC-3GHz
VSWR:	1.3:1(Max.)
Impedance:	75ohm
Durability:	500 Cycles
Temperature:	-40~85°C

MATERIAL LIST

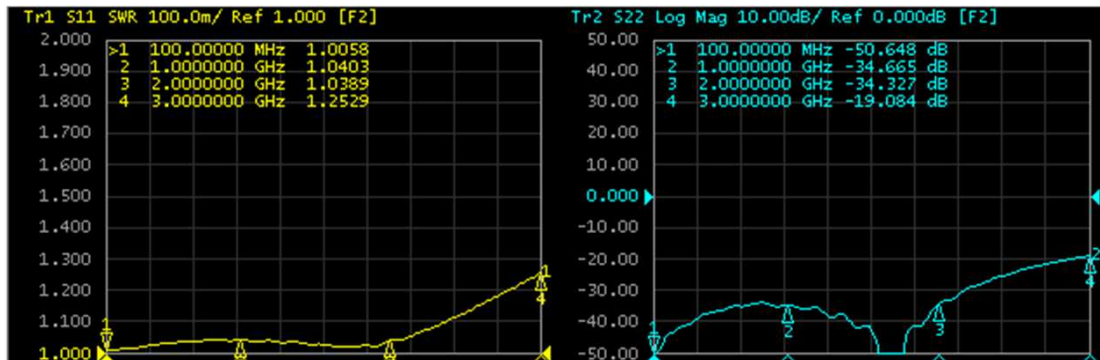
Part	Material	Plated
Body	Brass	Nickel
Center Pin	Phosphor Bronze	Gold
Insulator	Teflon	
Body	Brass	Nickel
Insulator	Teflon	Gold
Shell	Brass	Nickel

OUTLINE DRAWING

Unit:mm



TESTING DATA (100% S-PARAMETER TESTED)



Any more request, please contact sales@solvangtech.com. Thank you ~