



SOLVANG TECHNOLOGY INC.

www.solvangtech.com

Email : sales@solvangtech.com

**3.5GHZ SMA FEMALE TO QUICK TNC MALE
ADAPTER
P/NO.STI01-0134**



SPECIFICATION

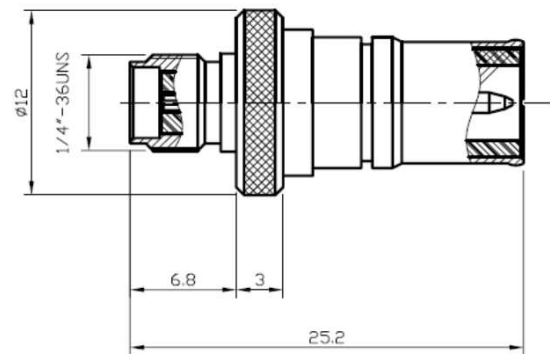
Frequency	DC-3.5GHz
VSWR:	1.3:1(Max.)
Impedance:	50Ohm
Durability:	500 Cycles
Temperature:	-40~85℃

MATERIAL LIST

Part	Material	Plated
Body	Brass	Nickel
Center Pin	Phosphor Bronze	Gold
Insulator	Teflon	

OUTLINE DRAWING

Unit:mm



Any more request, please contact sales@solvangtech.com. Thank you ~