



**3.5GHZ SMA MALE TO REVERSE POLARITY TNC MALE  
ADAPTER  
P/NO.STI01-0133**



**SPECIFICATION**

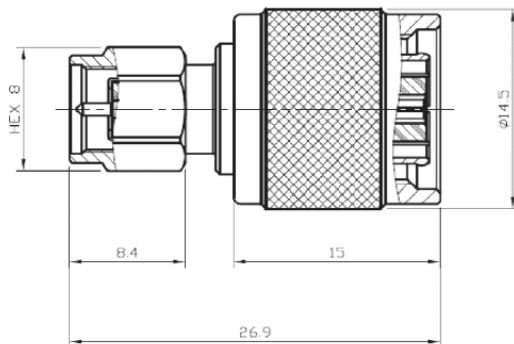
Frequency	DC-3.5GHz
VSWR:	1.3:1(Max.)
Impedance:	50ohm
Durability:	500 Cycles
Temperature:	-40~85°C

**MATERIAL LIST**

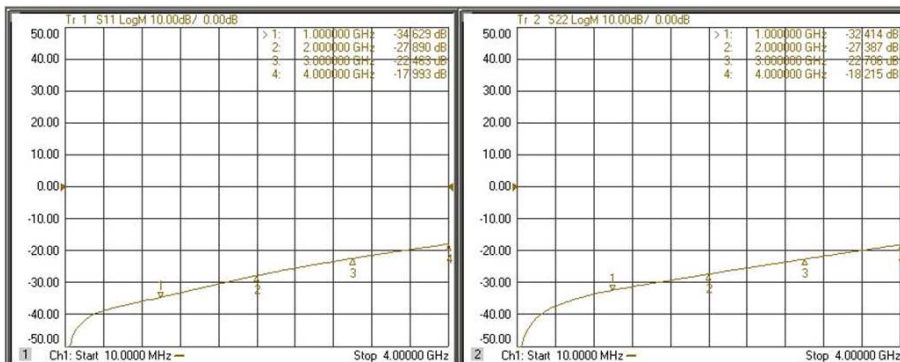
Part	Material	Plated
Body	Brass	Nickel
Center Pin	Brass	Gold
Insulator	Teflon	
Washer	Brass	Nickel
Inner Retaining Ring	SK5	Nickel
Gasket	Silicone	
Insulator	Teflon	
Shell	Brass	Nickel

**OUTLINE DRAWING**

Unit:mm



**TESTING DATA ( 100% S-PARAMETER TESTED)**



Any more request, please contact sales@solvangtech.com. Thank you ~