



# 3.5GHZ SMA FEMALE TO REVERSE POLARITY TNC MALE ADAPTER P/NO.STI01-0128



### SPECIFICATION

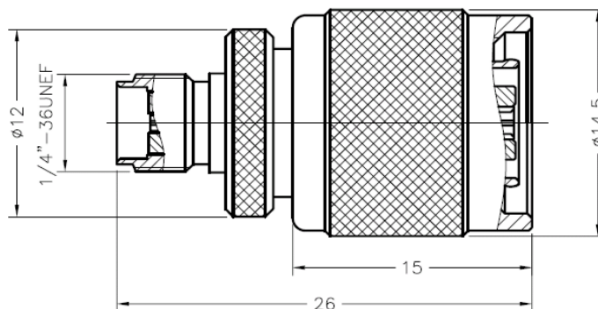
Frequency	DC-3.5GHz
VSWR:	1.3:1(Max.)
Impedance:	50Ohm
Durability:	500 Cycles
Temperature:	-40~85℃

### MATERIAL LIST

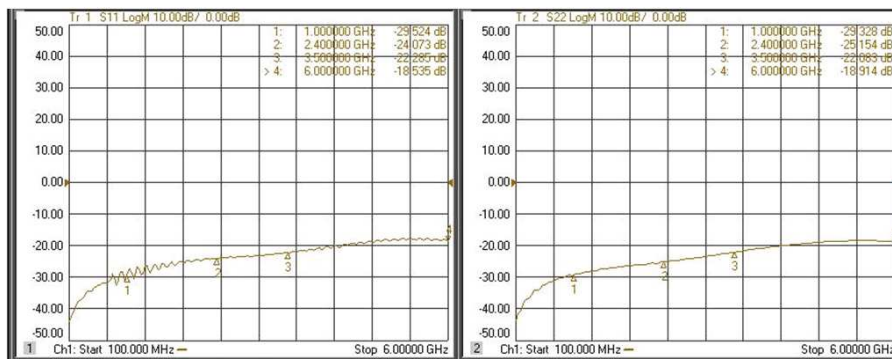
Part	Material	Plated
Body	Brass	Nickel
Center Pin	Phosphor Bronze	Gold
Insulator	Teflon	
Washer	Brass	Nickel
Inner Retaining Ring	SK5	Nickel
Gasket	Silicone	
Insulator	Teflon	
Shell	Brass	Nickel

### OUTLINE DRAWING

Unit:mm



### TESTING DATA ( 100% S-PARAMETER TESTED)



Any more request, please contact sales@solvangtech.com. Thank you ~