



SOLVANG TECHNOLOY INC.

www.solvangtech.com

Email : sales@solvangtech.com

3GHZ PUSH-ON F MALE TO F FEMALE

75OHM ADAPTER

P/NO.STI01-0127



SPECIFICATION

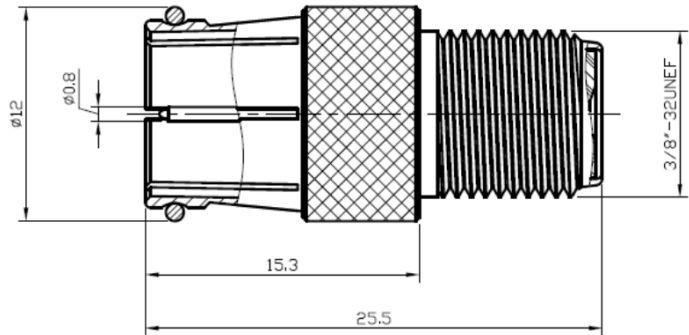
| | |
|--------------|-------------|
| Frequency | DC-3GHz |
| VSWR: | 1.2:1(Max.) |
| Impedance: | 75Ohm |
| Durability: | 500 Cycles |
| Temperature: | -40~85℃ |

MATERIAL LIST

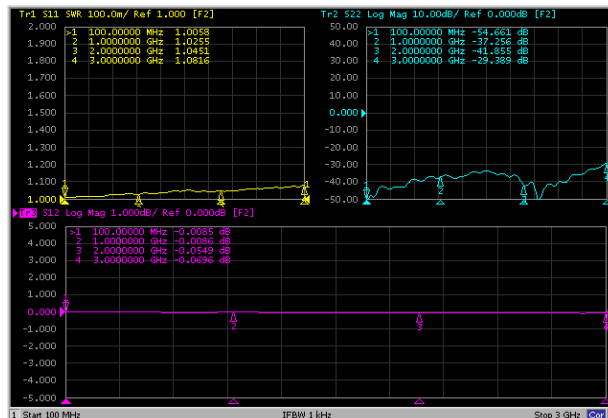
| | | |
|----------------|------------------|--------|
| Part | Material | Plated |
| Spring | SK5 | Nickel |
| Body | Brass | Nickel |
| Insulator | Teflon | |
| Center Pin | Brass | Gold |
| Insulator | Teflon | |
| Center contact | Beryllium Copper | Gold |

OUTLINE DRAWING

Unit:mm



TESTING DATA (100% S-PARAMETER TESTED)



Any more request, please contact sales@solvangtech.com. Thank you ~