

6GHZ N MALE TO SMA MALE

ADAPTER

P/NO.STI01-0108



SPECIFICATION

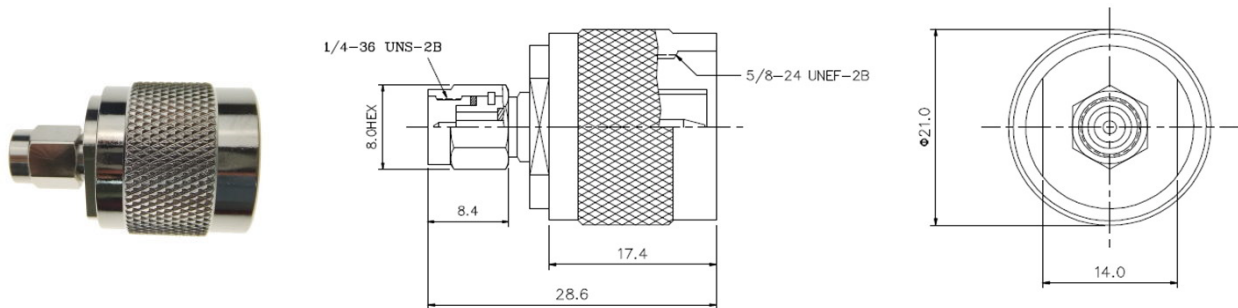
Frequency	DC-6GHz
VSWR:	1.2:1(Max.)
Impedance:	50Ohm
Durability:	500 Cycles
Temperature:	-65~155 °C

MATERIAL LIST

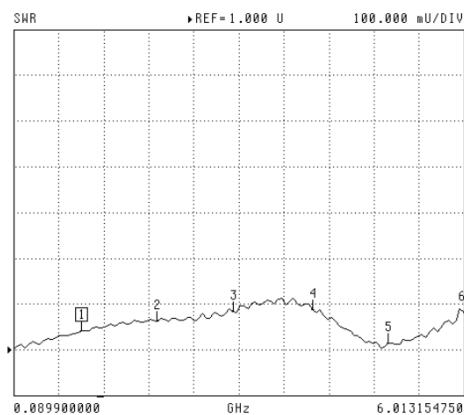
Part	Material	Plated
Body	Brass	Nickel
Center Contact	Brass	Gold
Insulator	Teflon	
C-Ring	Stainless Steel	
Gasket	Silicon	
Center Contact	Brass	Gold
Insulator	Teflon	
C-Ring	Beryllium Copper	Gold
Body	Brass	Nickel
Shell	Brass	Nickel

OUTLINE DRAWING

Unit:mm



TESTING DATA (100% S-PARAMETER TESTED)



Any more request, please contact sales@solvangtech.com. Thank you ~