

## 10GHZ MHF MALE TO SMA FEMALE

### ADAPTER(INTERFACE:1.9MM)

### P/NO.STI01-0106



#### SPECIFICATION

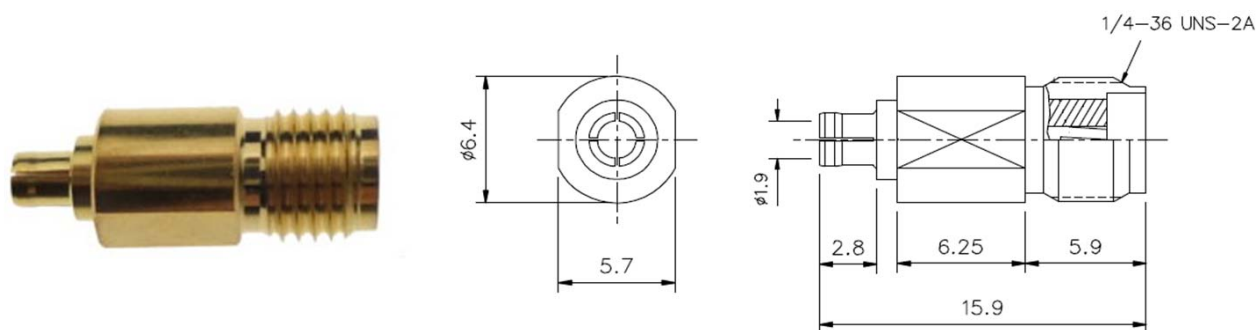
Frequency	DC-10GHz
VSWR:	DC-6GHz:1.15:1(Max.) 6-10GHz:1.4:1(Max.)
Insertion Loss:	0.2dB(Max.)
Impedance:	50ohm
Durability:	500 Cycles
Temperature:	-65~155℃

#### MATERIAL LIST

Part	Material	Plated
Body	Brass	Gold
Insulator	Teflon	
Center Pin	Beryllium Copper	Gold
Insulator	Teflon	
Body	Beryllium Copper	Gold

#### OUTLINE DRAWING

Tolerance:X=±0.2 X.X=±0.1 X.XX=±0.05 Unit:mm



#### TESTING DATA ( 100% S-PARAMETER TESTED)

