

10GHZ IP4 FEMALE TO SMA FEMALE

ADAPTER

P/NO.STI01-0104



SPECIFICATION

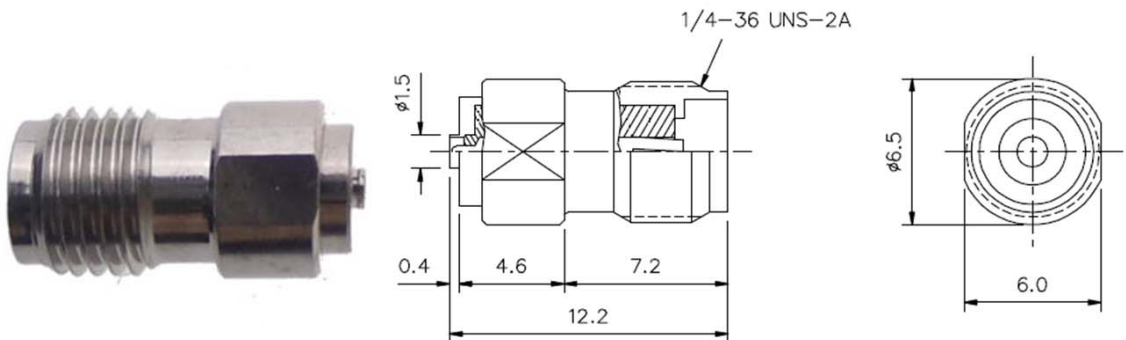
Frequency	DC-10GHz
VSWR:	1.25:1(Max.)@DC-6GHz 1.45:1(Max.)@6-10GHZ
Insertion Loss:	1.5dB(Max.)
Impedance:	50Ohm
Durability:	500 Cycles
Temperature:	-65~155 °C

MATERIAL LIST

Part	Material	Plated
Body	Brass	Nickel
Insulator	Teflon	
Center Pin	Beryllium Copper	Gold

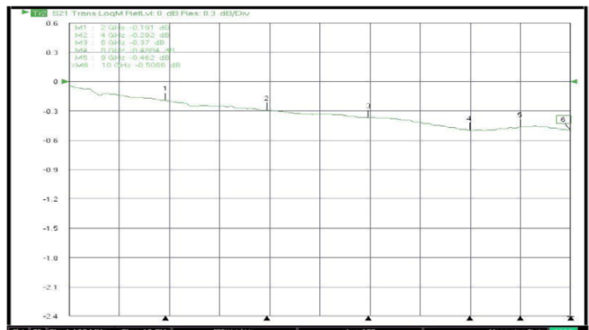
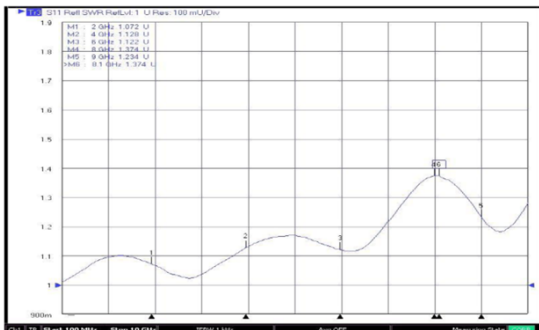
OUTLINE DRAWING

Tolerance:X=±0.2 X.X=±0.1 X.XX=±0.05 Unit:mm



TESTING DATA (100% S-PARAMETER TESTED)

Insertion Loss included 0.81mm Cable 10cm


 Any more request, please contact sales@solvangtech.com. Thank you ~