

## 10GHZ MHF RECEPTACLE TO SMA FEMALE BULKHEAD WITH O-RING ADAPTER P/NO.STI01-0102



### SPECIFICATION

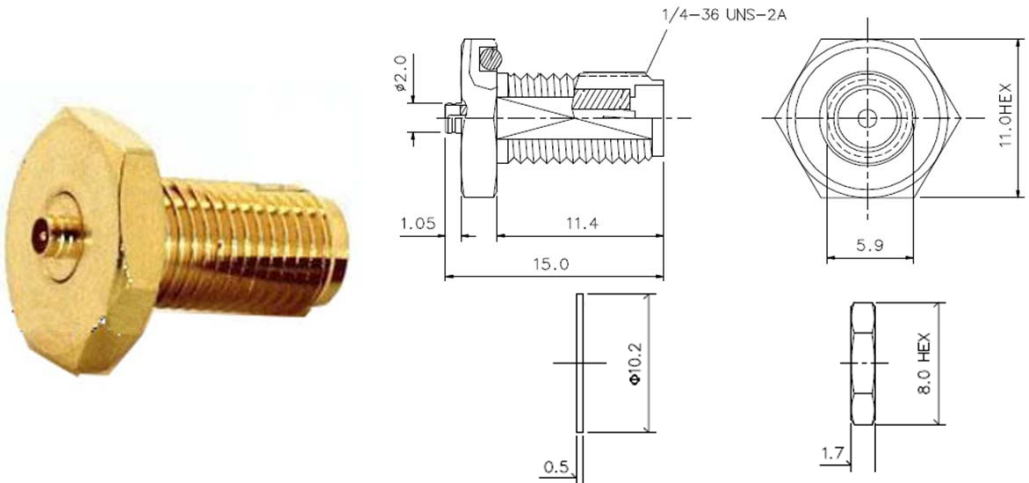
Frequency	DC-10GHz
VSWR:	1.2:1(Max.)@DC-6GHz 1.4:1(Max.)@6-10GHz
Insertion Loss:	0.1dB(Max.)@DC-6GHz 0.3dB(Max.)@6-10GHz
Impedance:	50Ohm
Durability:	500 Cycles
Temperature:	-65~155°C

### MATERIAL LIST

Part	Material	Plated
Shell	Brass	Gold
Washer	Brass	Gold
Nut	Brass	Gold
O-Ring	Silicone Rubber	
Insulator	Teflon	
Center Pin	Brass	Gold
Insulator	Teflon	
Body	Brass	Gold

### OUTLINE DRAWING

Tolerance: X=±0.2 X.X=±0.1 X.XX=±0.05 Unit:mm



### TESTING DATA ( 100% S-PARAMETER TESTED)

